

model series: HYD-4-7 (or 12,16) and HYD-6-7 (or 12,16) in Indoor enclosures and with INDOOR BRIGHTNESS LEDs  
 model series: HYXDA-4-7(or 12,16) and HYXDA-6-7 (or 12,16)in Outdoor enclosures and with INDOOR BRIGHTNESS LEDs  
 model series: HYOD-4-7 (or 12,16) and HYOD-6-7 (or 12,16) in Indoor enclosures and with OUTDOOR BRIGHTNESS LEDs  
 model series: HYXODA-4-7 (or 12,16) and HYXODA-6-7 (or 12,16) in Outdoor enclosures and with OUTDOOR BRIGHTNESS LEDs

**RED, GREEN, YELLOW or BLUE - 7, 12 and 16 INCH High Digits**

**STANDARD FEATURES:**

- \* Infra Red hand held REMOTE CONTROL for all functions
- \* 12 or 24 Hour and Military Display Format (user selectable via remote)
- \* Stand - Alone operation for Home or Office
- \* Backup:  
Self-recharging backup - NO BATTERY NEEDED
- \* Day/Date/Month/Year Alternating display selection
- \* Fully Adjustable Brightness ( Manual via remote control )
- \* Julian Day display
- \* Auto Leap-Year correction
- \* Day Light Savings correction ( N. America )
- \* Timers:  
Wake-Up Alarm Timer with soft beeper control  
Stop-Watch function up to 1/100 sec resolution  
Up/Down Presettable Timer and Counter with Alarm (up to 99hrs:59min:59sec or 999999 counts)  
Cycling timer, Up and Down
- \* On-Board Alarms: Internal Alarm buzzer
- \* NON-GLARE lens
- \* NON-MULTIPLEXING - Camera friendly
- \* Variety of enclosure colors.

**Metal, Steel, Aluminum and Stainless Steel Enclosures**



IR Remote Control

**SPECIFICATIONS:**

Supply Voltage:	115V or 208-240V, 50/60Hz 24 or 12V AC/DC
Power:	12VA to 24VA average
Operating Temperature:	-20C to +70C (-4F to +158F) (military range optional)
Humidity:	95% RH max. non cond.
Visibility:	Up to 250 Ft. (80m) for 7" Up to 350 Ft. (110m) for 12" Up to 500 Ft. (160m) for 16"

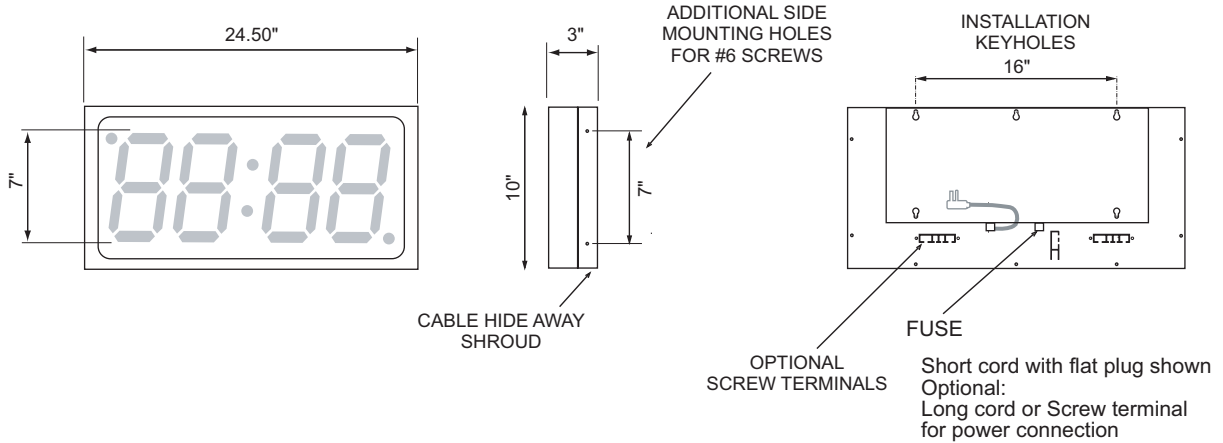
**Optional FEATURES:**

- \* Direct Replacement for existing MASTER - SLAVE SYSTEM CLOCKS (replaces round, mechanical or electronic)
- \* Multiple Master-Slave correction modes:  
Master-Slave Power Line Carrier sync (Simplex)  
Master-Slave 2 Wire, RS485 Twisted Pair Sync/Communication  
Master-Slave wireless communication on power line wiring  
Master-Slave wireless RF, radio communication  
Master-Slave network ethernet communication  
Master-Slave BCD digital, ASCII Time Code  
RS232, USB and RS485 serial communication ( PC port as the Master )  
Master-Slave 2 and 3 Wire, 24V Minute Impulse Sync
- \* Multi-Zone synchronized Master-Slave system
- \* Temperature Monitoring and Control:  
Multi-Event Programmable Thermostat ( up to 32 events/day )  
Heating - Cooling Auto Change-Over  
Inside and Outside Thermometer function  
Min/Max Temperature Memory  
Temperature Alarm and Relay outputs ( up to 2 x Form C, 10Amp/250V )
- \* Backup:  
10 Year Lithium battery option
- \* Atomic Clock radio option ( WWVB60, DCF77, HBG75, MSF60, OHTAKADOYA40, HAGANE60 )
- \* Atomic Clock GPS option
- \* Automatic Brightness with Auto-dimming option
- \* Timers:  
Multi-Event Programmable Timer ( up to 32 events/day )  
Stop-Watch function up to 1/100 sec resolution  
External Start/Stop/Reset switch inputs  
Auto-reloading time period measurement  
Continuous time count on power failure
- \* On-Board Alarm Relays for timers and counters:  
( up to 2 x Form C, 10Amp/250V ) For external load, siren or horn.

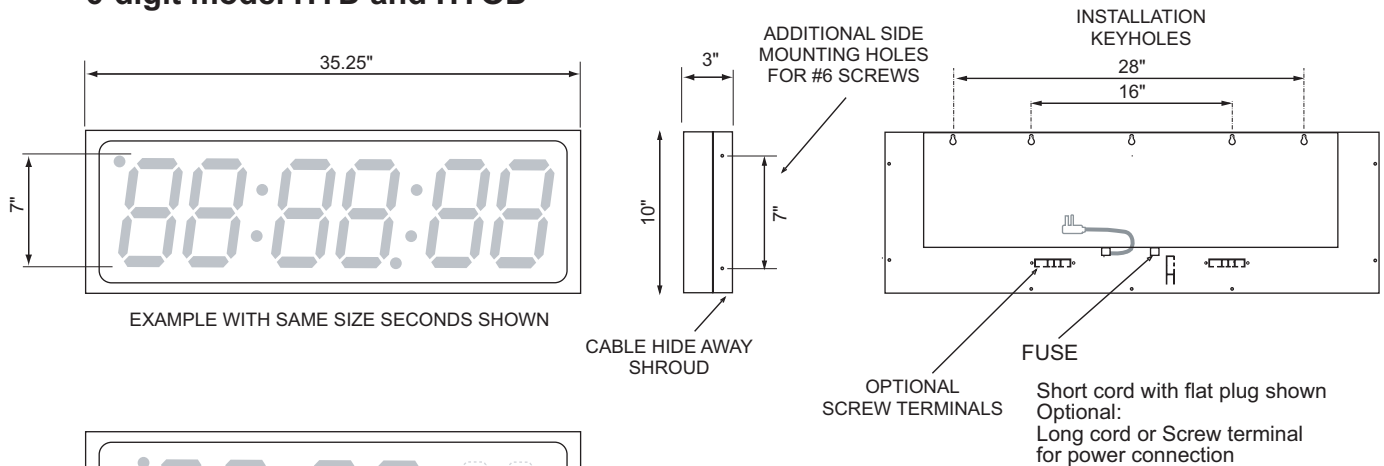


standard colors: white, black and stainless steel  
custom colors available

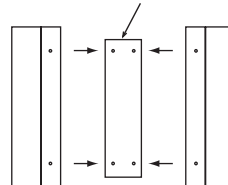
### 4-digit model HYD and HYOD



### 6-digit model HYD and HYOD

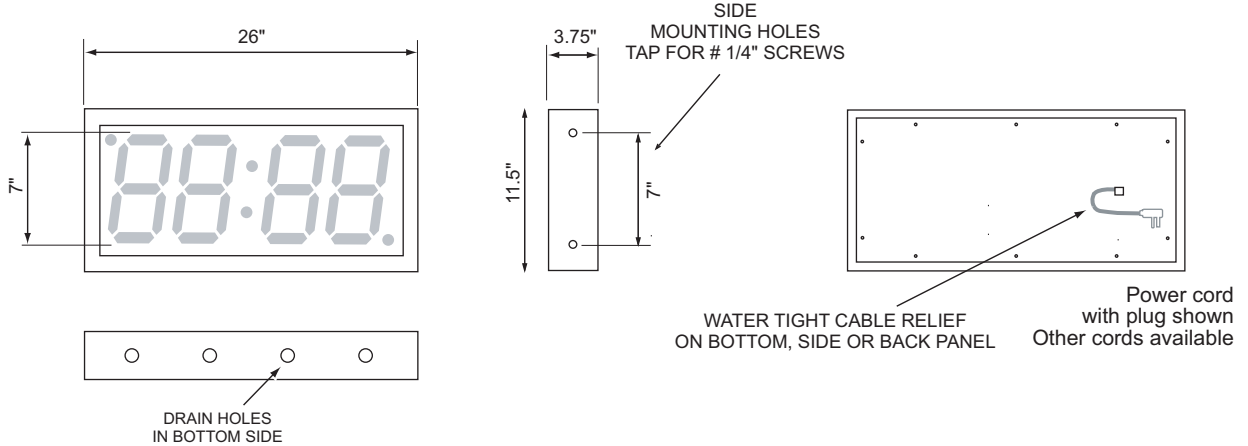


OPTIONAL DOUBLE-SIDED MOUNTING BRACKET (OPTION # BR7X2)

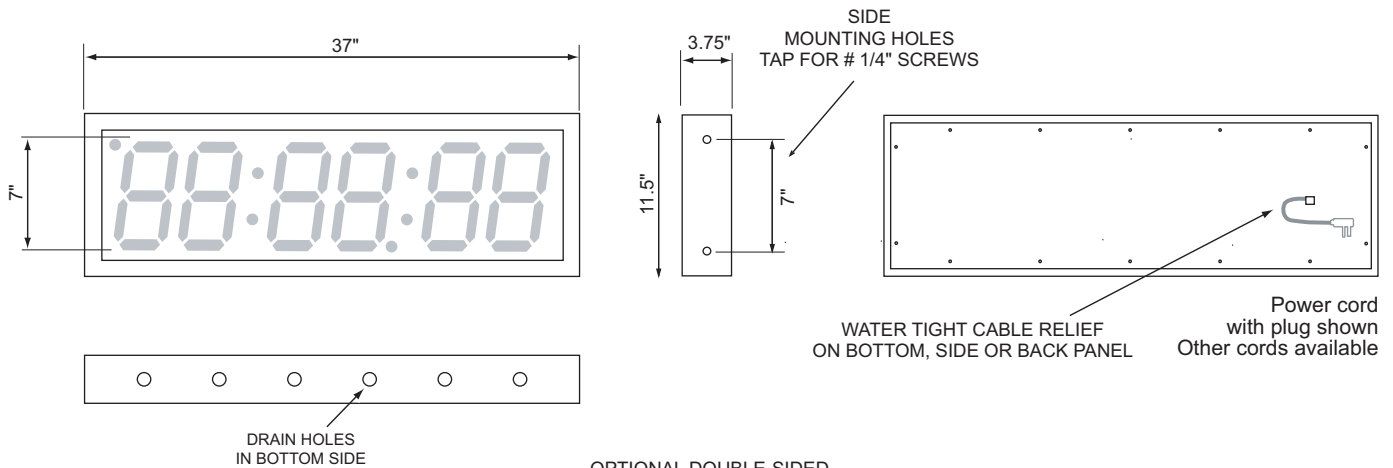


standard color: black  
custom colors available

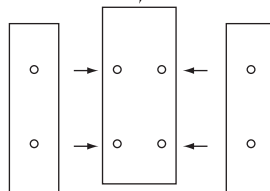
### 4-digit model HYXDA and HYXODA



### 6-digit model HYXDA and HYXODA



#### OPTIONAL DOUBLE-SIDED OUTDOOR MOUNTING BRACKET (OPTION # OBR7X2)

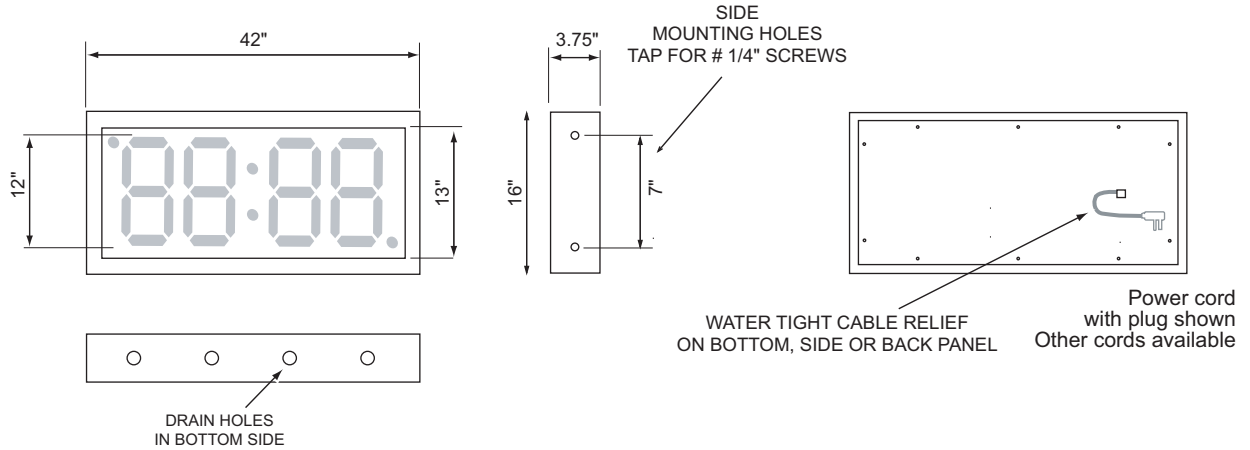


NOTE: FOR OUTDOOR DOUBLE SIDED INSTALLATIONS  
THE WIRING AND POWER CORD IS ON THE SIDE,  
ON THE BOTTOM, OR ON THE TOP WALL OF ENCLOSURES

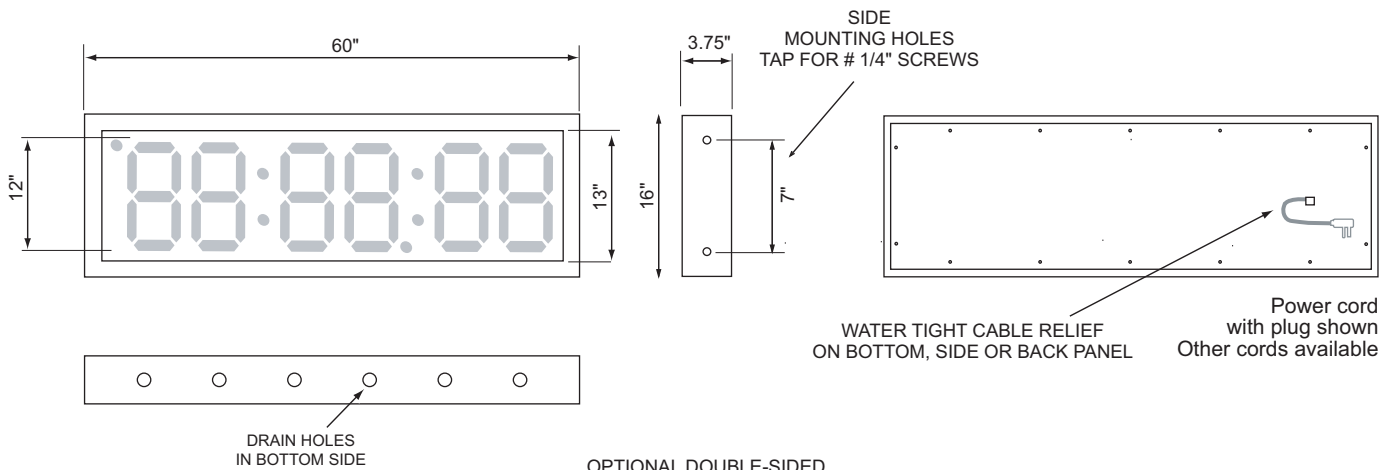
NOTE: ALL OUTDOOR MOUNTING SCREWS SHOULD BE PROTECTED  
WITH SILICON SEALANT APPLIED DURING INSTALLATION

standard color: black  
custom colors available

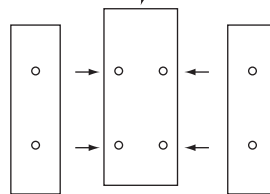
### 4-digit model HYXDA and HYXODA



### 6-digit model HYXDA and HYXODA



#### OPTIONAL DOUBLE-SIDED OUTDOOR MOUNTING BRACKET (OPTION # OBR12X2)

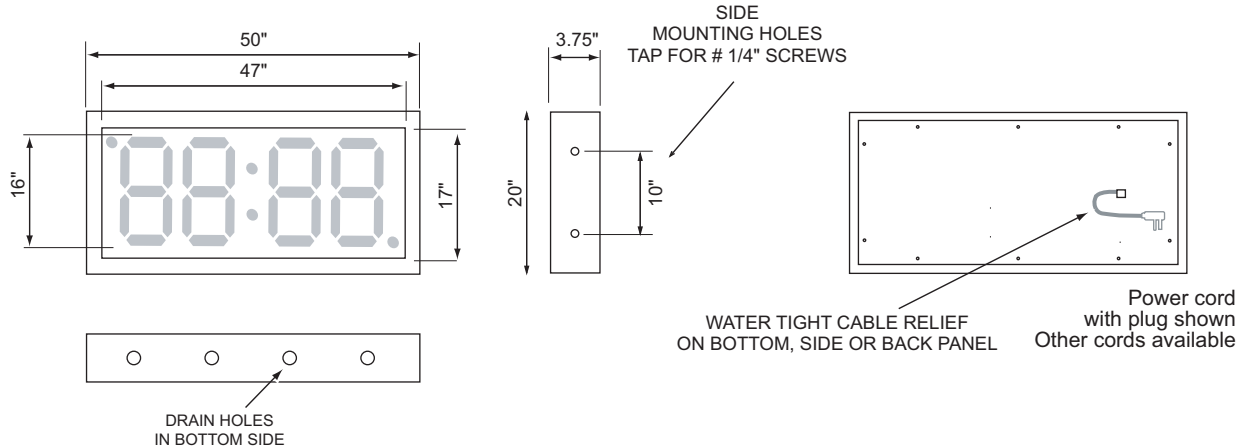


NOTE: FOR OUTDOOR DOUBLE SIDED INSTALLATIONS  
THE WIRING AND POWER CORD IS ON THE SIDE,  
ON THE BOTTOM, OR ON THE TOP WALL OF ENCLOSURES

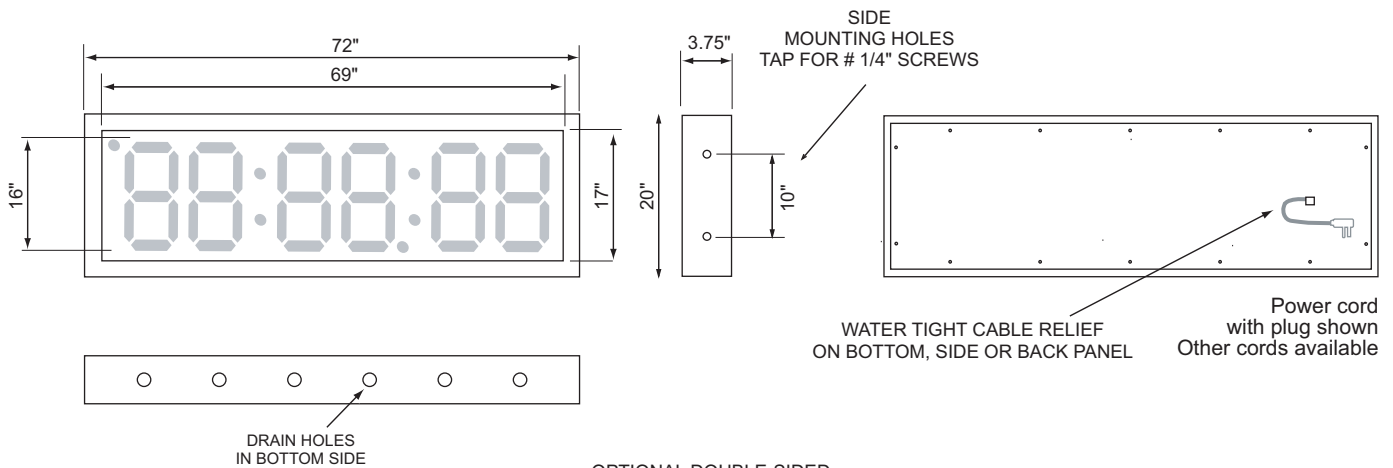
NOTE: ALL OUTDOOR MOUNTING SCREWS SHOULD BE PROTECTED  
WITH SILICON SEALANT APPLIED DURING INSTALLATION

standard color: black  
custom colors available

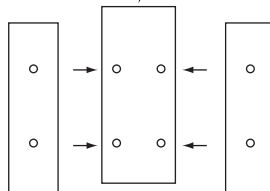
### 4-digit model HYXDA and HYXODA



### 6-digit model HYXDA and HYXODA



OPTIONAL DOUBLE-SIDED  
OUTDOOR MOUNTING BRACKET  
(OPTION # OBR16X2)



NOTE: FOR OUTDOOR DOUBLE SIDED INSTALLATIONS  
THE WIRING AND POWER CORD IS ON THE SIDE,  
ON THE BOTTOM, OR ON THE TOP WALL OF ENCLOSURES

NOTE: ALL OUTDOOR MOUNTING SCREWS SHOULD BE PROTECTED  
WITH SILICON SEALANT APPLIED DURING INSTALLATION